

Instructions for use

A. POWER

1. Please install 3 good quality AA batteries in the battery holders, 1 for the clock movement and 2 for the flipper control.

The batteries last for approximately 1 year, therefore please change the batteries annually, or when the clock begins to slow down.

2. Please make sure the proper connection of positive (+) and negative (-) ends of the battery.

B. CLOCK TIME ADJUSTMENT

1. The clock works similar to other battery powered quartz movement clocks.

2. Adjustment of the rapid testing of the system signals:

- * switch the power switch 6. to ON
- * there will be a standby signal every time the clock points at 6:30 during adjustments. Pause for 3-5 seconds upon hearing the sound of this signal, then proceed slowly with the next step; when at 7:00 there will be another signal and the day will change from e.g. Thursday - DAY (yellow) to Thursday - NIGHT (Blue). When changing from NIGHT to DAY (7:00 am) the date will change.



At 7:00 second signal occurs and appropriate flipper changes

You can move back and forward to test the signals.

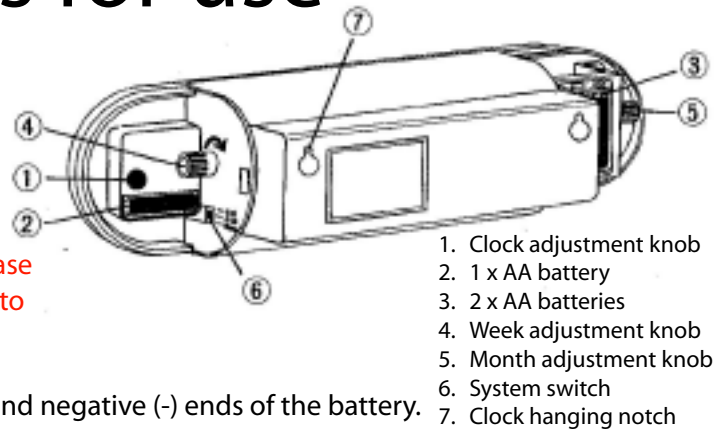
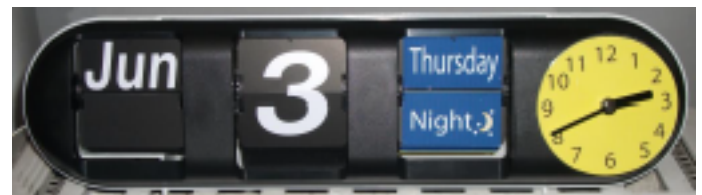
At 6:30 first (standby) signal occurs.

C. ADJUSTMENT OF AUTOMATIC CALENDAR

1. When adjusting the calendar, turn the system switch to OFF. in the order right to left adjust the CLOCK, then DAY (day /night), then DATE, and finally MONTH.
 - * adjust the clock to the current time, adjust the DAY including day/night by turning the WEEK knob clockwise as shown in the picture.
 - * adjust the DATE by switching the system switch to RAPID DAY. When correct date appears turn system switch to OFF.
 - * adjust the month by turning the Month turn knob anti-clockwise.
2. When completed the adjustments in order CLOCK, DATE, DAY, and MONTH, then turn the power switch to ON.
3. If the clock is incorrectly set, reset as per steps above.
4. On February 29th in a leap year, the calendar will jump to MAR 1st Please set 29th Feb manually and turn system switch off for 1 day. Adjust date correctly on 1st Mar.

Note:

1. If the calendar flippers ever slip off the wheels, please open the front, clear cover and put the loose flippers back in the wheel holes.
2. Do not use corrosive solution for cleaning any surface of the unit, instead, use alcohol, toothpaste, soap or detergent for cleaning.
3. Keep the unit from sources of heat or direct sunlight. Do not drop the unit and avoid heavy impacts.



1. Clock adjustment knob
2. 1 x AA battery
3. 2 x AA batteries
4. Week adjustment knob
5. Month adjustment knob
6. System switch
7. Clock hanging notch